

FEATURES

Netcom's 5715 digitally tunable filter is an industry leading design specifically targeting co-site mitigation applications. This filter will reduce the reverse inter-modulation products and harmonics synchronously with the selected "hop" set as commanded by the host radio. It can operate both in transmit or receive modes of operation. Voltage regulation, conducted emissions and surge protection are accomplished with a custom modular power supply design.

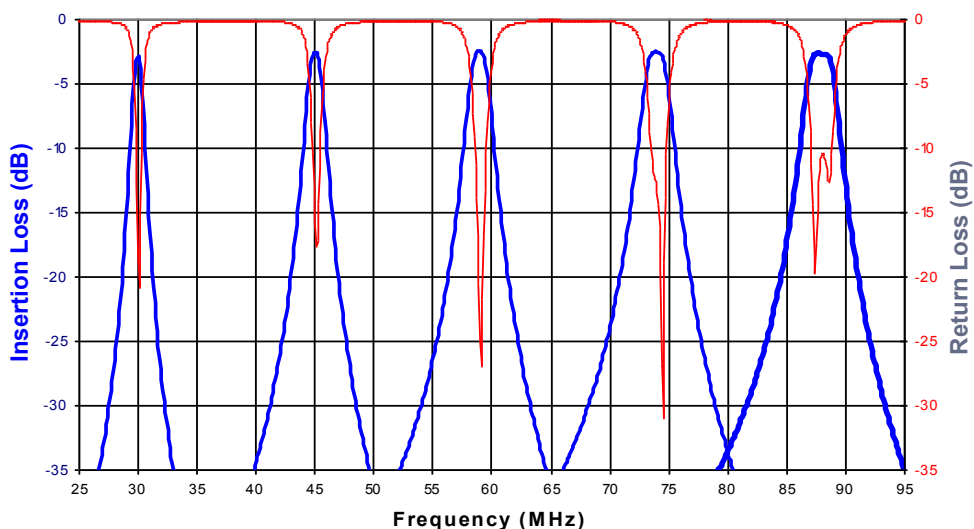
Control is implemented using Programmable Logic Device (PLD) and on board EEPROMs. The logic signals from the host radio (which specify the tune frequency) are translated to the uniquely calibrated tune word residing in the EEPROMs. This output word provides the fine tuning control for the filter's center frequency, while the Q is kept constant across the spectrum. Special mechanical consideration has been given to limiting the temperature rise of the components; components have also been significantly de-rated for improved reliability. Environmental Stress Screening (ESS) is performed on each unit, prior to shipment.

Specifications

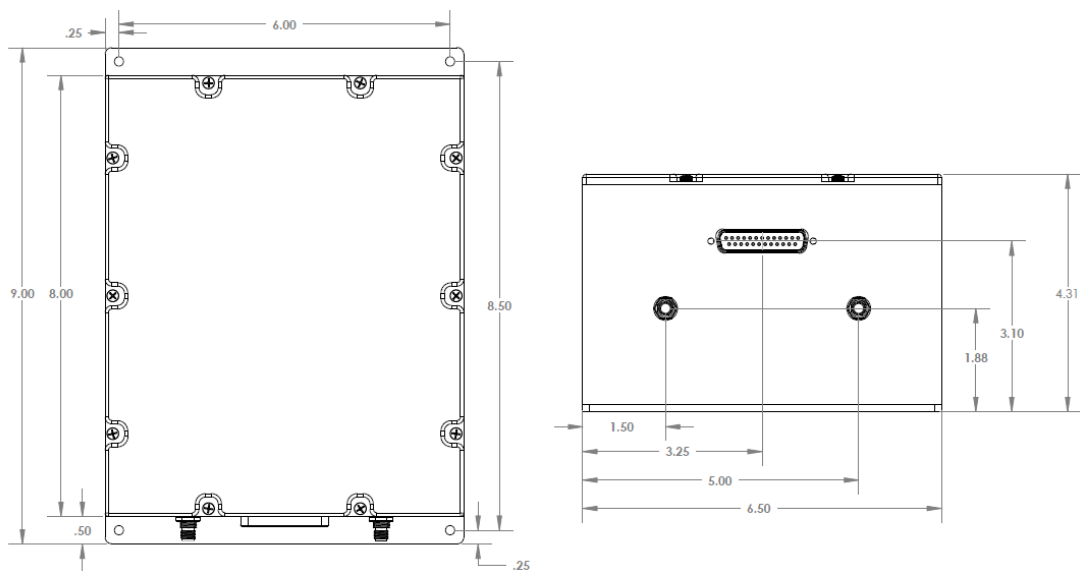


Frequency Range	30 to 90 MHz		
Input / Output Impedance	50 Ω		
RF Power Rating			
Inband, Continuous / Peak	40 W / 80 W		
Out-of-Band, Max	100 W		
Filter Bandwidth 3dB	3%	5%	7%
Selectivity			
Shape Factor 30/3dB	6.0	6.0	6.0
Insertion Loss	3.5	2.5	2.0
Filter Tuning Channels	401		
Radio Interface Channels (30 — 90MHz)	10kHz Increments		
Switching Speed, 90% RF Power	<70 μ sec		
DC Input			
+26V DC; (\pm 6 Volts)	1A		
Mil-Std-461D Compliant	Yes		
Temperature Range	-40 to +75°C		
Control Interface (Other Interface Options Available Upon Request)	ARC-210		
Dimensions	9.00 x 6.00 x 4.31 inches		

Performance



Mechanical



Ordering Information

Model Number	-	Bandwidth	-	Option
5715		3		Leave blank for selectable interface S: Serial Interface Only P: Parallel Interface Only
		5		
		7		

NETCOM
RF & MICROWAVE TECHNOLOGY

599 Wheeling Road
Wheeling, IL 60090
USA
Phone 847.537.6300
Fax 847.537.2700
www.netcominc.com