

Specifications



FEATURES

Netcom's 5584 is a digitally tunable filter covering the frequency range of 90 to 200MHz.

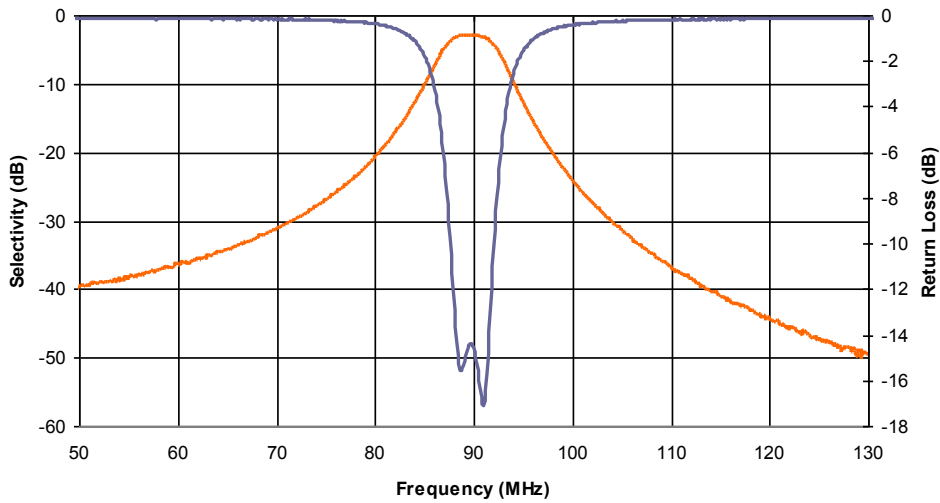
The filter has been designed using new commercially available high voltage drivers and a new generation CPLD, which allows for improved performance and reduced cost while at the same time providing increased functionality. A control interference is provided to accept either parallel data and strobe or serial data, clock and strobe. The filter incorporates high voltage totem-pole drivers for the PIN diode bias voltage to minimize current draw from the 100 VDC supply.

The following table shows the typical performance of the filter at different 3dB bandwidths. Options are available upon request for different bandwidth and frequency range.

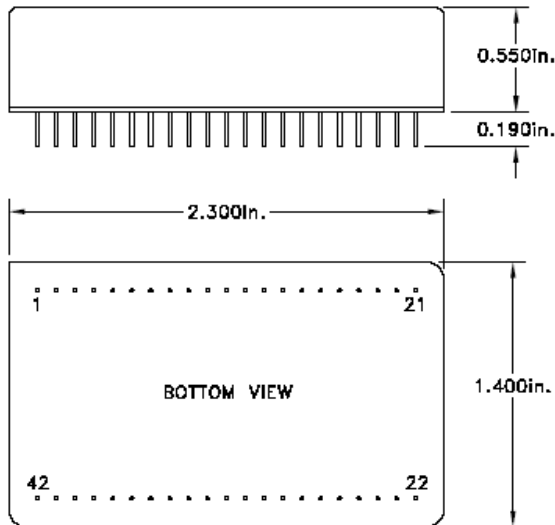
Frequency Range	90 to 200 MHz		
Input / Output Impedance	50 Ω		
RF Power Rating			
Inband, Continuous / Peak	1 W / 2 W		
Out-of-Band, Max	5 W		
Filter Bandwidth 3dB	3 %	5 %	7 %
Selectivity			
Shape Factor 30/3dB	6.6	6.5	6.2
Insertion Loss	5.6 dB	3.8 dB	3.0 dB
Tuning Channels	250		
Switching Speed, 90% RF Power	15 μ sec		
DC Inputs			
+5 Volts (\pm 0.5 Volts)	250 mA		
+100 Volts (-7, +25 Volts)	0.2 mA		
Temperature Range	-40 to +85°C		
Control Interface	- Selectable 8 bit Parallel or Serial - TTL and CMOS Compatible		
Power Save Mode	Programmable		
Dimensions	2.30 x 1.40 x 0.55 inches		

Performance

Model 5584 - 90 to 200 MHz, 7% BW at 90 MHz



Mechanical



Ordering Information

Model Number	-	Bandwidth	-	Option
5584		3		Leave blank for selectable interface S: Serial Interface Only P: Parallel Interface Only
		5		
		7		

* Standard bandwidths listed. Other bandwidths available upon request.

NETCOM
RF & MICROWAVE TECHNOLOGY

599 Wheeling Road
Wheeling, IL 60090
USA
Phone 847.537.6300
Fax 847.537.2700
www.netcominc.com